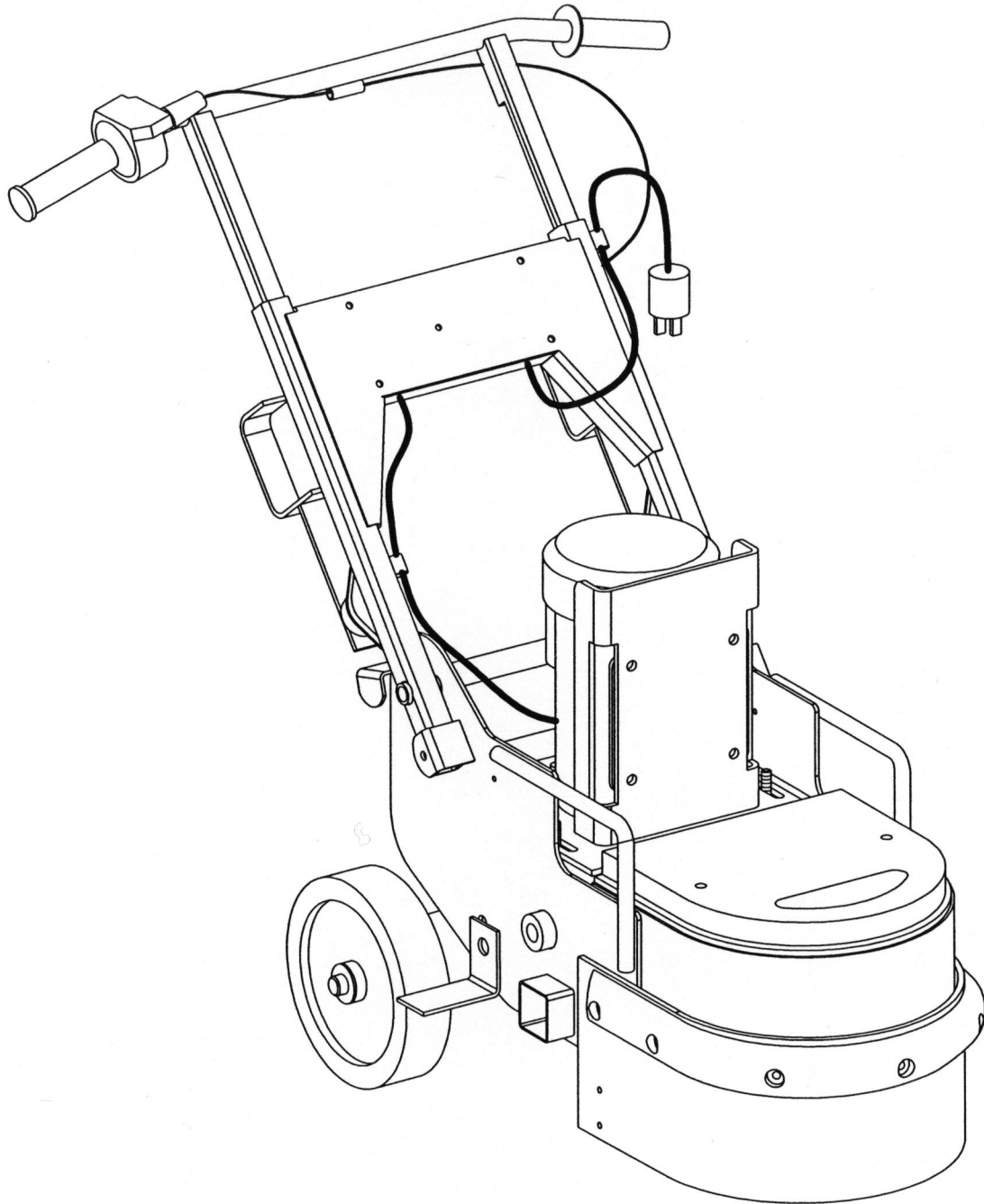
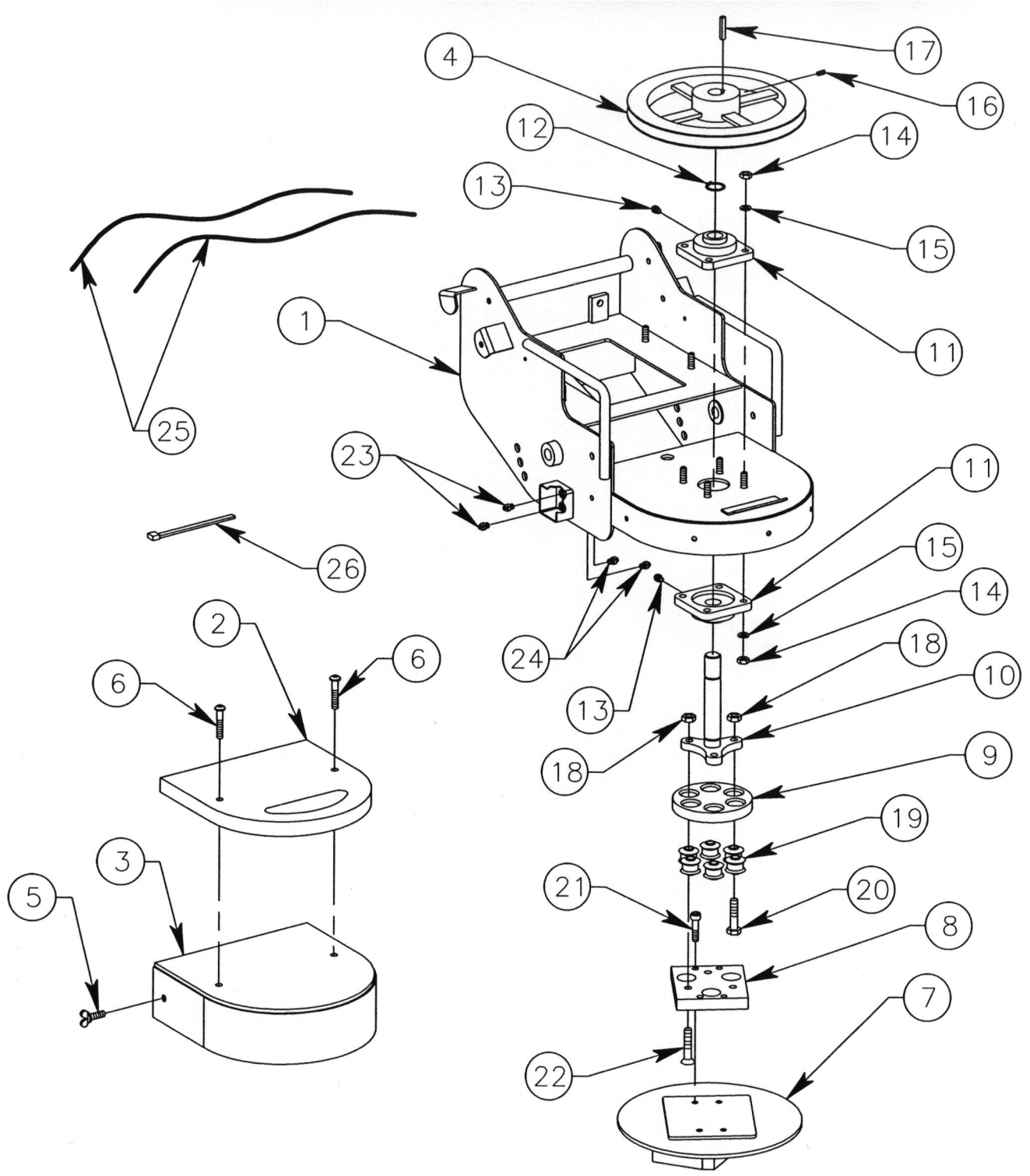


Replacement Part Diagrams SG12 Series Surface Grinder



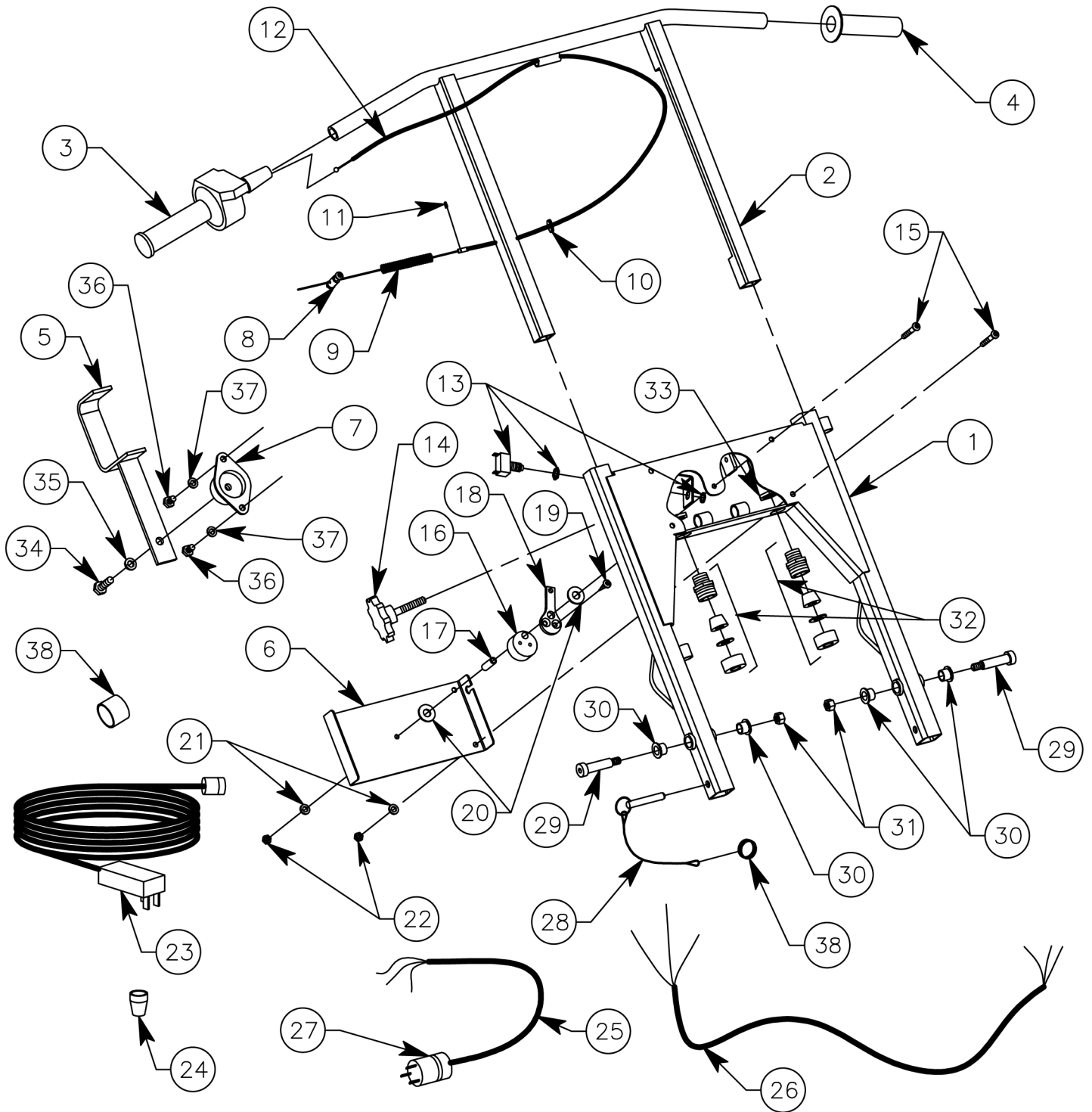
Frame Assembly SG12/E Surface Grinder



Frame Assembly SG12/E Surface Grinder

Reference Number	PART NUMBER	DESCRIPTION	QTY
1	SG12-0010	Frame, Main	1
2	SG12-0360	Weight	1
3	SG12-0020	Cover, Belt	1
4	SG12-0410	Pulley	1
5	91060600	Screw, Thumb, 3/8-16 UNC x 3/4", Plated	2
6	34061600	Screw, Machine, Round Head, 3/8-16 UNC x 2", Plated	2
7	SG24-0140	Disc, Multi-Accessory, LH	1
8	SG24-0130	Bar, Mounting	1
9	SG24-0120	Disc, Mounting	1
10	SG12-0240	Shaft	1
11	FHSF 205-16G	Bearing	2
12	5160-98	Ring, Snap	2
13	SG12-0130	Connector, Grease, 1/4-28 UNF	2
14	18060000	Nut, Hexagon, 3/8-16 UNC, Plated	8
15	16060000	Washer, Lock, 3/8", Plated	8
16	31050600	Screw, Set, Cup Point, 5/16-18 UNC x 3/8" (Included with Reference Number 4)	1
17	63041200	Key, Square, 1/4" x 1/4" x 1-1/2"	1
18	53070000	Nut, Hexagon, Locking, 7/16-14 UNC, Plated	6
19	J-6250-2	Mount, Rubber	6
20	15071600	Screw, Cap, 1/16-14 UNC x 2", Plated	3
21	60061200	Screw, Socket, 3/8-16 UNC x 1-1/2", Plated	4
22	27071800	Screw, Countersunk, 7/16-14 UNC x 2-1/4"	3
23	SP8-0590	Fitting, Grease, Straight	2
24	SG12-0120	Connector, Grease, 1/8 Pipe	2
25	SG12-0140	Hose, Grease, 5/32", Clear (13" Length)	2
26	660-0560	Tie, Nylon, 6" Long	1

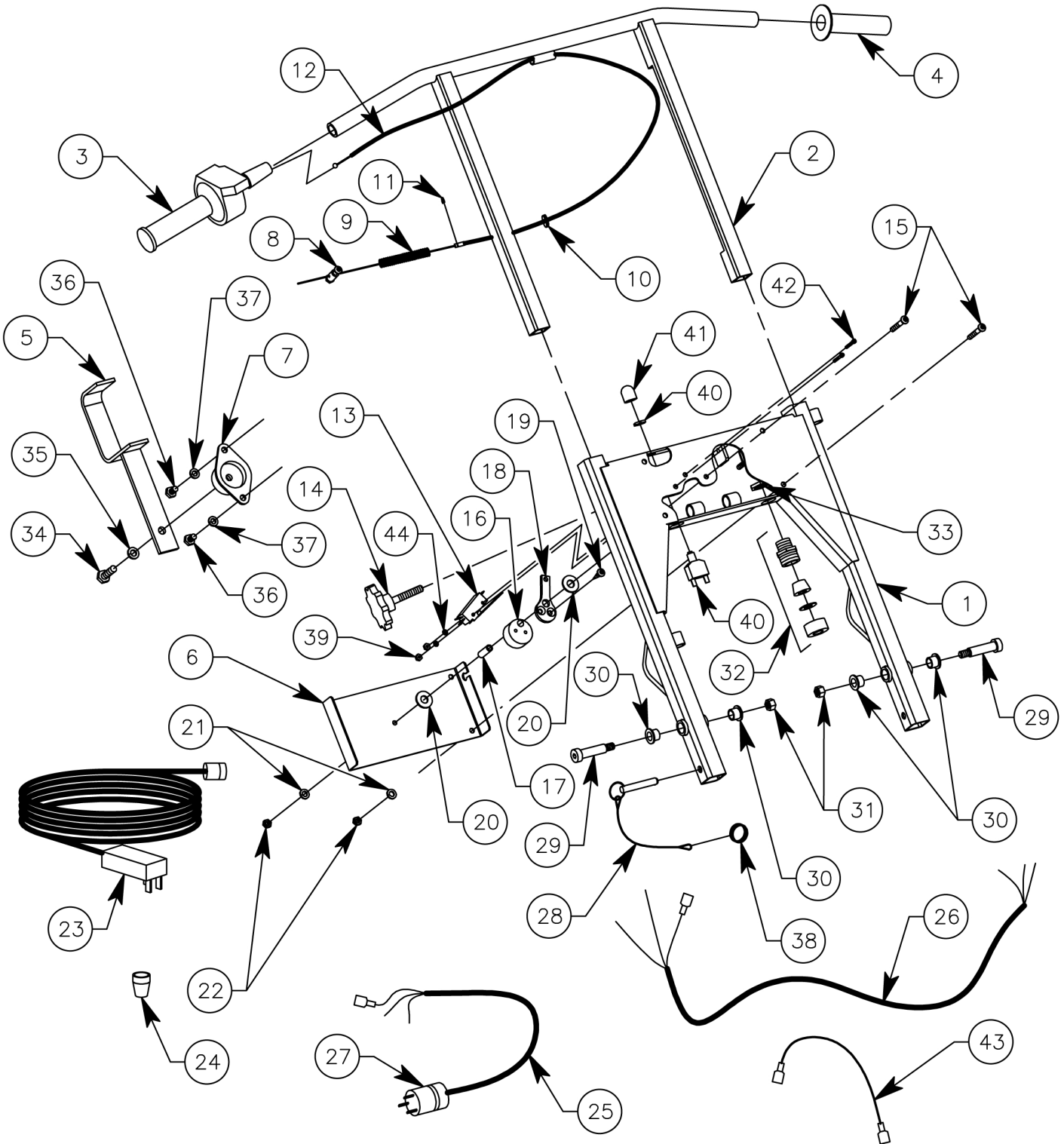
Operator Handle Assembly SG12/E Surface Grinder [Used Up To Serial Number 25690]



Operator Handle Assembly SG12/E Surface Grinder [Used Up To Serial Number 25690]

Reference Number	PART NUMBER	DESCRIPTION	QTY
1	SG12-0180	Handle, Lower	1
2	SG12-0110	Handle, Top	1
3	310-0030	Throttle, Twist Control, Plastic, Complete	1
4	SG12-0415	Grip, 7/8", Black	1
5	SG12-0280	Clamp, Hose	2
6	SG12-0190	Cover, Switch	1
7	660-0900	Mount, Rubber	2
8	WS-277	Assembly, Swivel	1
9	SG12-0350	Spring, Compression	1
10	FCS16-0300	Grommet	1
11	SG12-0340	E-Clip, 7/32" External	1
12	310-0081	Cable, Throttle	1
13	SG12-0330	Switch, 115V	1
14	SG12-0050	Knob Assembly	2
15	37041300	Screw, Machine, Pan Head Phillips, 1/4-20 UNC x 1-5/8", Plated	5
16	SG12-0170	Cam, Switch	1
17	SG12-0150	Tube, Pivot	1
18	SG12-0160	Lever, Switch	1
19	SG12-0380	Screw, Wood, Flat Head Phillips, #12 x 7/8"	2
20	17060000	Washer, Flat, 3/8", Plated	2
21	16040000	Washer, Lock, 1/4", Plated	5
22	90040000	Nut, Acron, 1/4-20 UNC, Plated	5
23	FCS16-1000	Extension Cord, GFCI	1
24	WIRE NUT Y	Nut, Wire, Yellow	3
25	SG12-0260	Cable, Switch To Plug	1
26	SG12-0270	Cable, Switch To Motor	1
27	HUB-4720C	Plug, Twist Lock, Male, 15A	1
28	FCS16-0210	Pin With Lanyard	2
29	62081400	Bolt, Shoulder, 1/2" x 1-3/4"	2
30	FCS16-0340	Bushing, Bronze, 1/2" ID	4
31	86060000	Nut, Hexagon, Flange, 3/8-16 UNC, Plated	2
32	CG-5050	Relief, Strain	2
33	801	Nut, Bulkhead (Included With Reference Number 32)	2
34	15060800	Screw, Cap, 3/8-16 UNC x 1", Plated	2
35	16060000	Washer, Lock, 3/8", Plated	2
36	15050400	Screw, Cap, 5/16-18 UNC x 1/2", Plated	4
37	16050000	Washer, Lock, 5/16", Plated	4
38	KIC-172	Ring, Kick Out	2

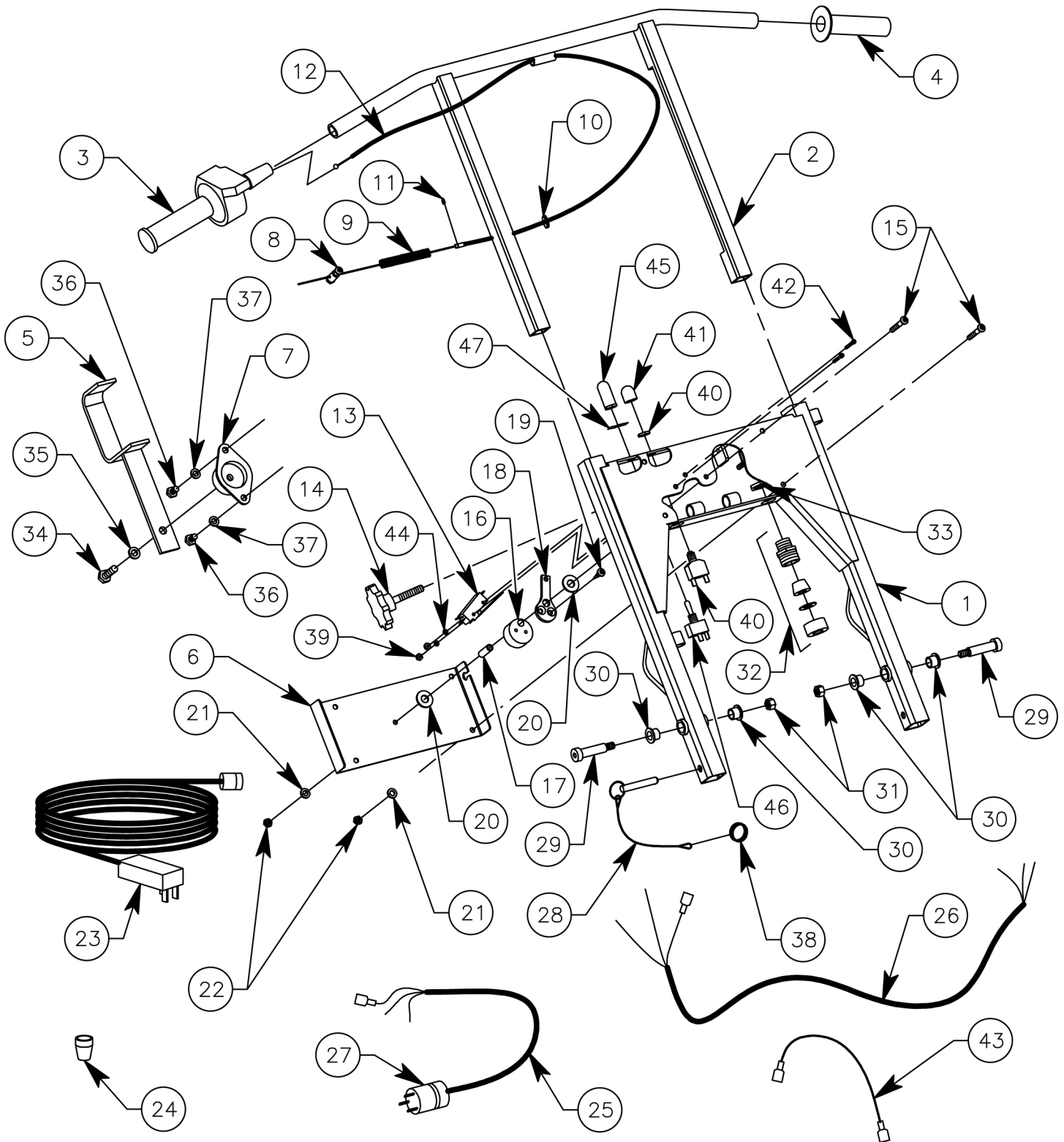
Operator Handle Assembly SG12/E Surface Grinder [Serial Number 25691 Thru 25694]



Operator Handle Assembly SG12/E Surface Grinder [Serial Number 25691 Thru 25694]

Reference Number	PART NUMBER	DESCRIPTION	QTY
1	SG12-0180	Handle, Lower	1
2	SG12-0110	Handle, Top	1
3	310-0030	Throttle, Twist Control, Plastic, Complete	1
4	SG12-0415	Grip, 7/8", Black	1
5	SG12-0280	Clamp, Hose	2
6	SG12-0190	Cover, Switch	1
7	660-0900	Mount, Rubber	2
8	WS-277	Assembly, Swivel	1
9	SG12-0350	Spring, Compression	1
10	FCS16-0300	Grommet	1
11	SG12-0340	E-Clip, 7/32" External	1
12	310-0081	Cable, Throttle	1
13	SG12-0070	Switch, 115V	1
14	SG12-0050	Knob Assembly	2
15	37041300	Screw, Machine, Pan Head Phillips, 1/4-20 UNC x 1-5/8", Plated	5
16	SG12-0170	Cam, Switch	1
17	SG12-0150	Tube, Pivot	1
18	SG12-0160	Lever, Switch	1
19	SG12-0380	Screw, Wood, Flat Head Phillips, #12 x 7/8"	2
20	17060000	Washer, Flat, 3/8", Plated	2
21	16040000	Washer, Lock, 1/4", Plated	5
22	90040000	Nut, Acron, 1/4-20 UNC, Plated	5
23	FCS16-1000	Extension Cord, GFCI	1
24	WIRE NUT Y	Nut, Wire, Yellow	3
25	SG12-0260	Cable, Switch To Plug	1
26	SG12-0270	Cable, Switch To Motor	1
27	HUB-4720C	Plug, Twist Lock, Male, 15A	1
28	FCS16-0210	Pin With Lanyard	2
29	62081400	Bolt, Shoulder, 1/2" x 1-3/4"	2
30	FCS16-0340	Bushing, Bronze, 1/2" ID	4
31	86060000	Nut, Hexagon, Flange, 3/8-16 UNC, Plated	2
32	CG-5050	Relief, Strain	2
33	801	Nut, Bulkhead (Included With Reference Number 32)	2
34	15060800	Screw, Cap, 3/8-16 UNC x 1", Plated	2
35	16060000	Washer, Lock, 3/8", Plated	2
36	15050400	Screw, Cap, 5/16-18 UNC x 1/2", Plated	4
37	16050000	Washer, Lock, 5/16", Plated	4
38	KIC-172	Ring, Kick Out	2
39	18010000	Hut, Hezagon, #6-32, Plated	2
40	SG12-0080	Circuit Breaker, 15 AMP	1
41	SG12-0090	Cover, Circuit Breaker	1
42	34010800	Screw, Machine, Pan Head Phillips, #6-32 UNC, x 1", Plated	2
43	SG12-0100	Wire, Jumper	1
44	58010000	Washer, Lock, External Tooth, #6	2

Operator Handle Assembly SG12/E Surface Grinder [Used Starting With Serial Number 25695]



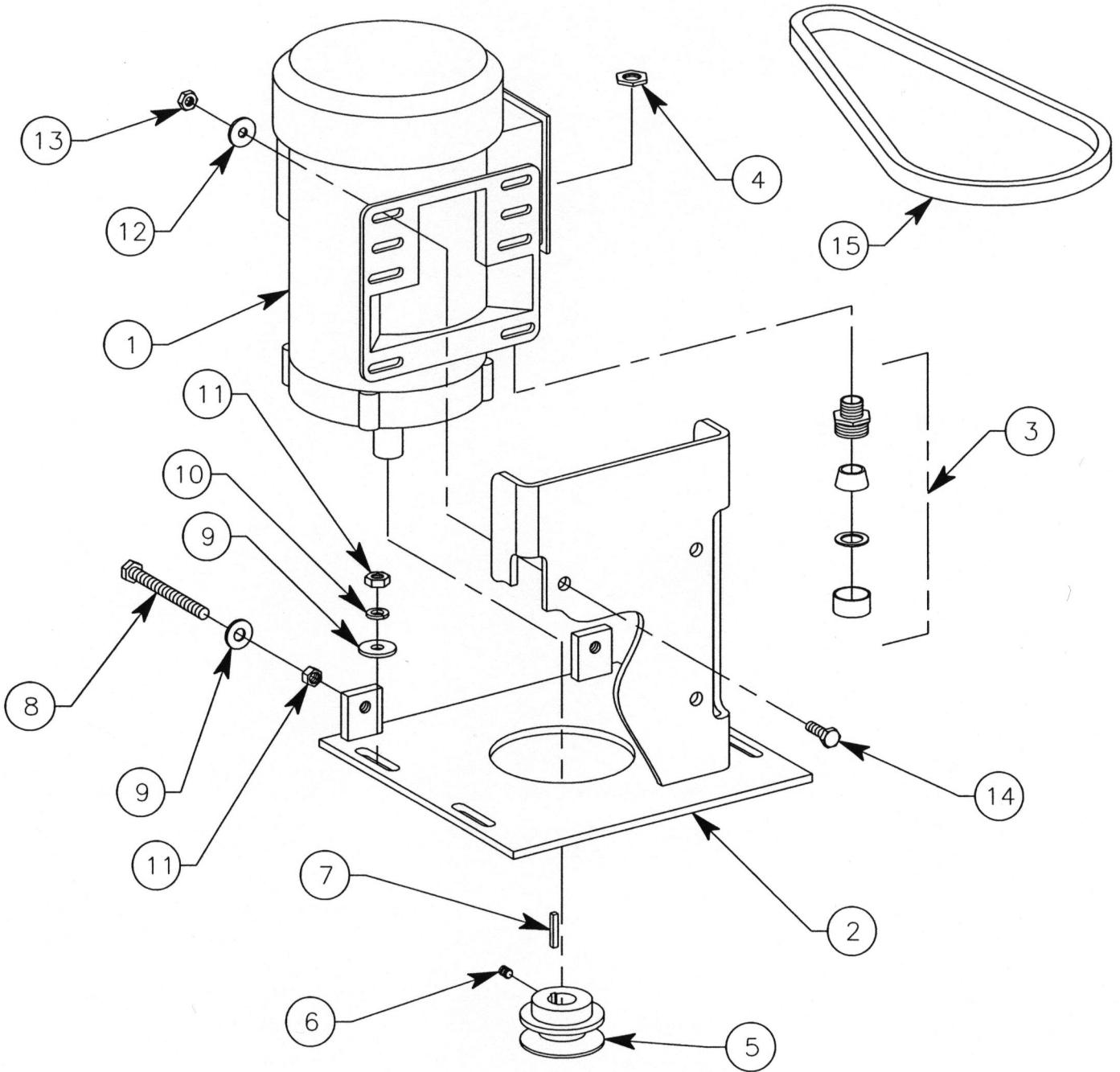
Operator Handle Assembly

SG12/E Surface Grinder

[Used Starting With Serial Number 25695]

Reference Number	PART NUMBER	DESCRIPTION	QTY
1	SG12-0181	Handle, Lower	1
2	SG12-0110	Handle, Top	1
3	310-0030	Throttle, Twist Control, Plastic, Complete	1
4	SG12-0415	Grip, 7/8", Black	1
5	SG12-0280	Clamp, Hose	2
6	SG12-0191	Cover, Switch	1
7	660-0900	Mount, Rubber	2
8	WS-277	Assembly, Swivel	1
9	SG12-0350	Spring, Compression	1
10	FCS16-0300	Grommet	1
11	SG12-0340	E-Clip, 7/32" External	1
12	310-0081	Cable, Throttle	1
13	SG12-0070	Switch, 115V	1
14	SG12-0050	Knob Assembly	2
15	37041300	Screw, Machine, Pan Head Phillips, 1/4-20 UNC x 1-5/8", Plated	5
16	SG12-0170	Cam, Switch	1
17	SG12-0150	Tube, Pivot	1
18	SG12-0160	Lever, Switch	1
19	SG12-0380	Screw, Wood, Flat Head Phillips, #12 x 7/8"	2
20	17060000	Washer, Flat, 3/8", Plated	2
21	16040000	Washer, Lock, 1/4", Plated	5
22	90040000	Nut, Acron, 1/4-20 UNC, Plated	5
23	FCS16-1000	Extension Cord, GFCI	1
24	WIRE NUT Y	Nut, Wire, Yellow	3
25	SG12-0260	Cable, Switch To Plug	1
26	SG12-0270 A	Cable, Switch To Motor	1
27	HUB-4720C	Plug, Twist Lock, Male, 15A	1
28	FCS16-0210	Pin With Lanyard	2
29	62081400	Bolt, Shoulder, 1/2" x 1-3/4"	2
30	FCS16-0340	Bushing, Bronze, 1/2" ID	4
31	86060000	Nut, Hexagon, Flange, 3/8-16 UNC, Plated	2
32	CG-5050	Relief, Strain	2
33	801	Nut, Bulkhead (Included With Reference Number 32)	2
34	15060800	Screw, Cap, 3/8-16 UNC x 1", Plated	2
35	16060000	Washer, Lock, 3/8", Plated	2
36	15050400	Screw, Cap, 5/16-18 UNC x 1/2", Plated	4
37	16050000	Washer, Lock, 5/16", Plated	4
38	KIC-172	Ring, Kick Out	2
39	12010000	Hut, #6-32 K-Lock	2
40	SG12-0080	Circuit Breaker, 15 AMP	1
41	SG12-0090	Cover, Circuit Breaker	1
42	34010800	Screw, Machine, Pan Head Phillips, #6-32 UNC, x 1", Plated	2
43	SG12-0100	Wire, Jumper	2
44			
45	SG12-0300-020	Cover, Master Switch	1
46	SG12-0300-010	Switch, Master Toggle	1
47	SG12-0300-030	Face Plate, ON/OFF	1

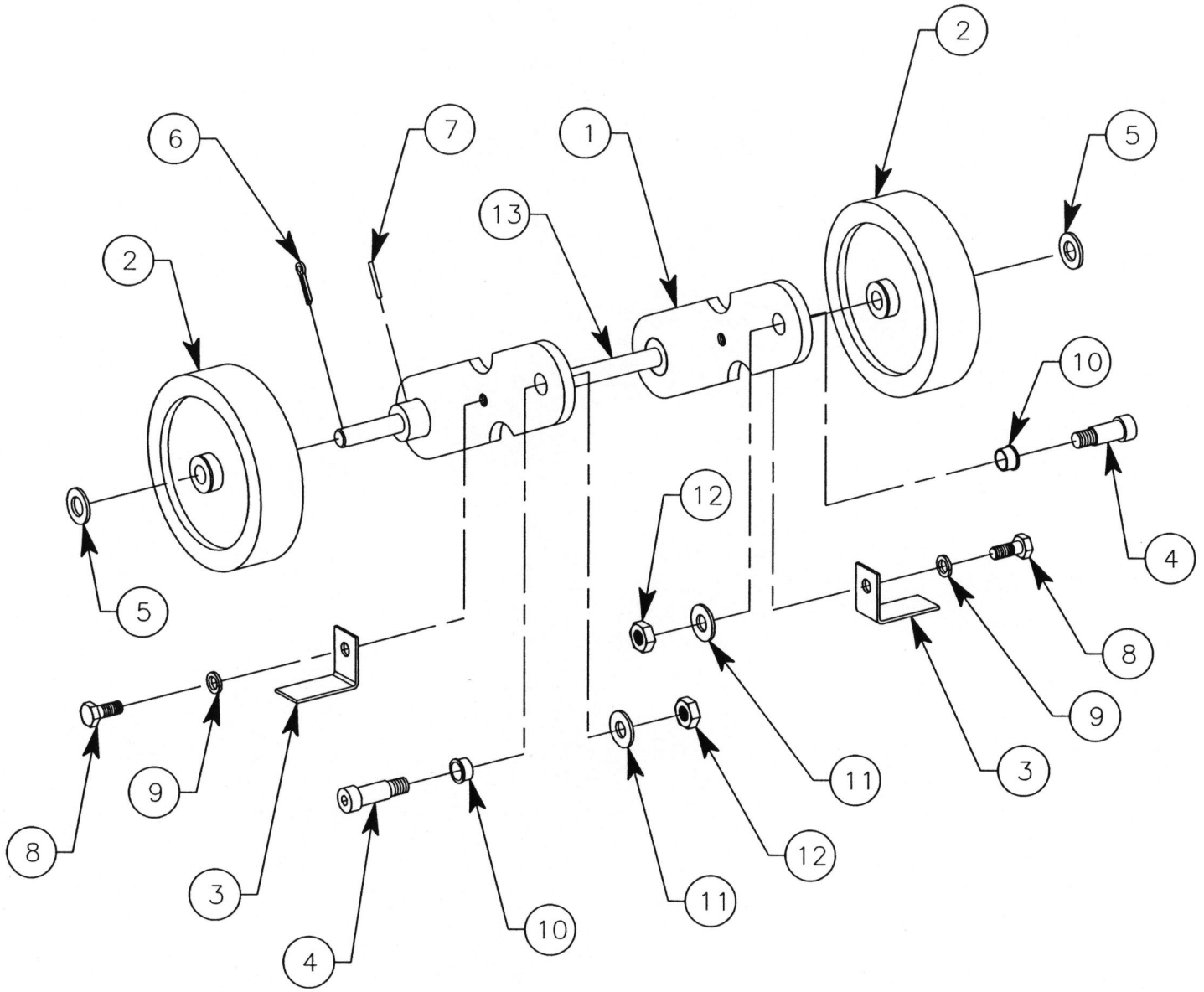
Electric Motor Assembly SG12/E Surface Grinder



Electric Motor Assembly SG12/E Surface Grinder

Reference Number	PART NUMBER	DESCRIPTION	QTY
1	SG12-0030	Motor, Electric, 1-1/2 HP, 115 VAC	1
2	SG12-0250	Mount, Electric Motor	1
3	CG-5050	Relief, Strain	1
4	801	Nut, Bulkhead (Included With Reference Number 3)	Reference
5	SG12-0400	Pulley	1
6	31050600	Screw, Set, Cup Point, 5/16-18 UNC x 3/8" (Included With Reference Number 5)	1
7	63030800	Key, Square, 3/16" x 3/16" x 1"	1
8	CS8-0470	Screw, Cap, 3/8-16 UNC x 3-1/2", Full Thread, Plated	2
9	17060000	Washer, Flat, 3/8", Plated	6
10	16060000	Washer, Lock, 3/8", Plated	4
11	18060000	Nut, Hexagon, 3/8-16 UNC, Plated	6
12	17040000	Washer, Flat, 1/4", Plated	4
13	53050000	Nut, Hexagon, Nylock®, 5/16-18 UNC, Plated	4
14	15050800	Screw, Cap, 5/16-18 UNC x 1", Plated	4
15	B45	Belt, V Type	1

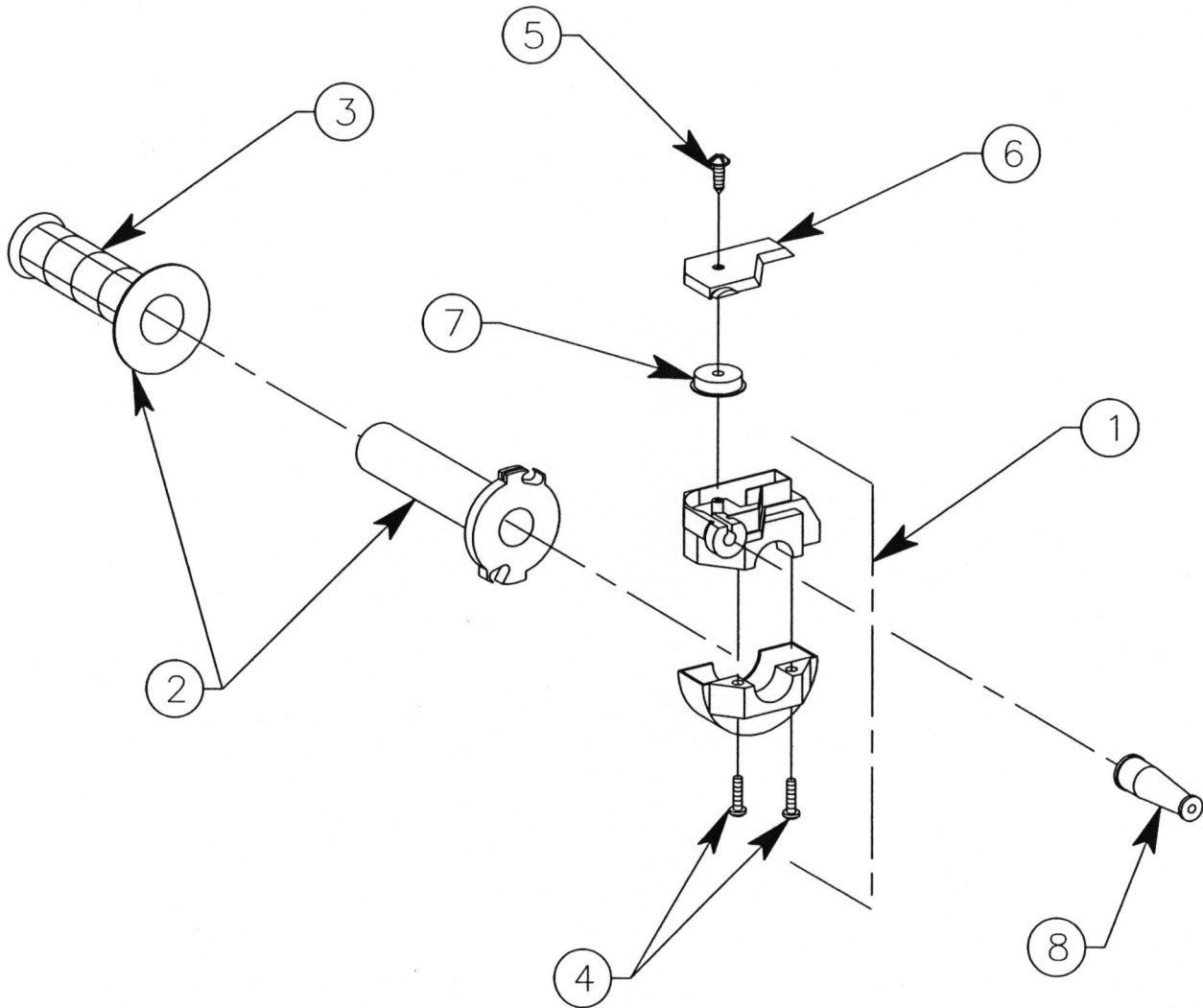
Wheel Dolly Assembly SG12/E Surface Grinder



Wheel Dolly Assembly SG12/E Surface Grinder

Reference Number	PART NUMBER	DESCRIPTION	QTY
1	SG24-0190	Arm, Swing	2
2	SG24-0260	Wheel	2
3	SG12-0370	Scraper, Wheel	2
4	62121200	Bolt, Shoulder, 3/4-10 UNC x 1-1/2"	2
5	17120000	Washer, Flat, 3/4", Plated	2
6	22022400	Pin, Cotter, 5/32" x 1-1/2", Plated	2
7	20031200	Pin, Roll, 3/16" x 1-1/2"	2
8	15081000	Screw, Cap, 1/2-13 UNC x 1-1/4", Plated	2
9	16080000	Washer, Lock, 1/2", Plated	2
10	660-0410	Bearing, Oilite®	2
11	17100000	Washer, Flat, 5/8", Plated	2
12	18100000	Nut, Hexagon, 5/8-11 UNC, Plated	2
13	SG12-0200	Axle, Plated	1

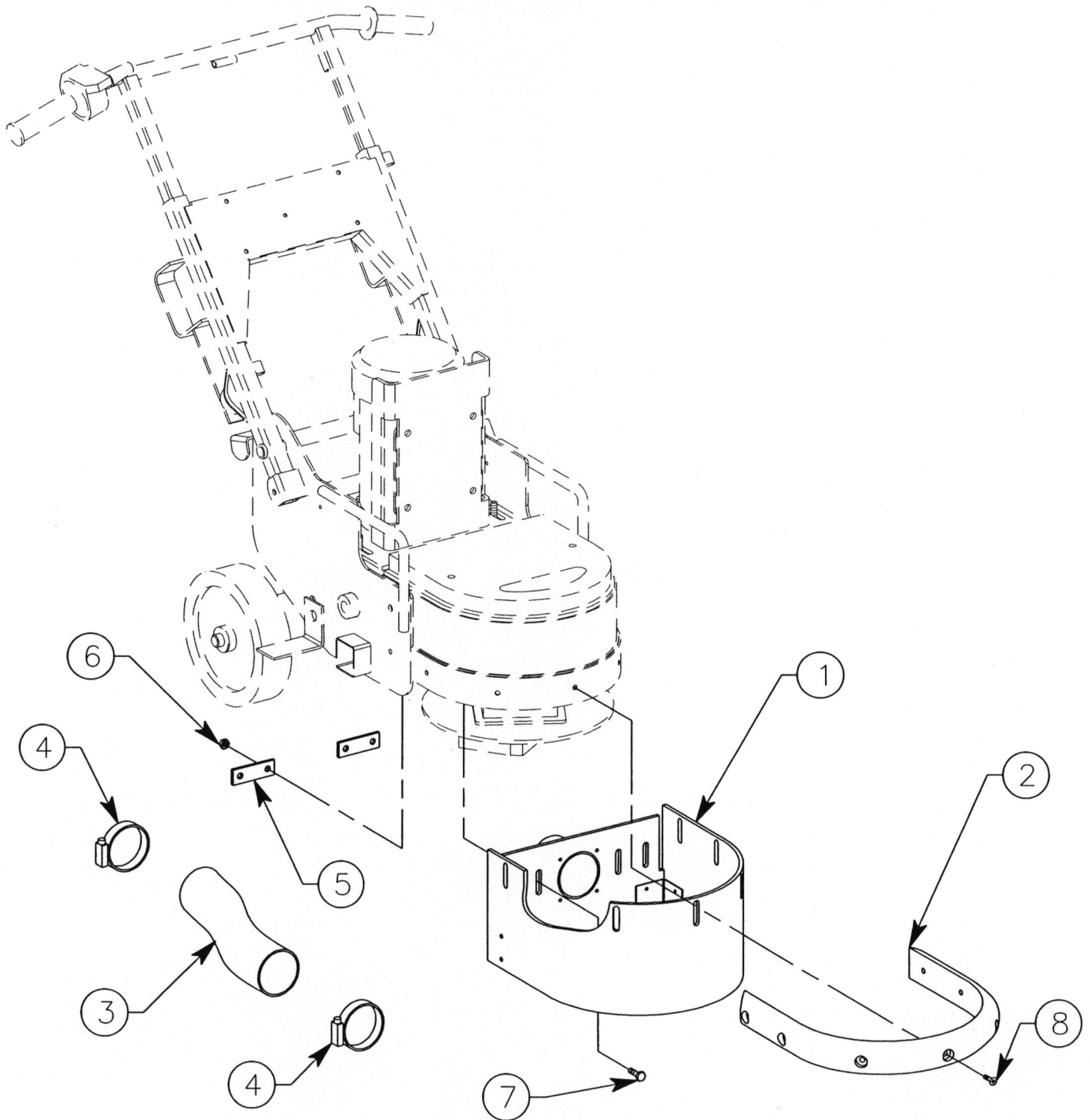
Plastic Body Series 314 Magura® Throttle Control Assembly SG12/E Surface Grinder



Plastic Body Series 314
Magura® Throttle Control Assembly
SG12/E Surface Grinder

Reference Number	PART NUMBER	DESCRIPTION	QTY
1	310-0030-010-A	Body Assembly, (Includes P/N 310-0030-040, Qty 2)	1
2	310-0030-020-A	Tube, Throttle (Includes P/N 310-0020-030)	1
3	310-0020-030	Grip, Handle	1
4	310-0030-040	Screw, Pan Head, M5 x 20	2
5	310-0030-050	Screw, Self Tapping	1
6	310-0030-060	Cover, Top	1
7	310-0030-070	Sheave, Roller	1
8	310-0020-080	Boot, Rubber	1

Safety And Dust Shield Assembly SG12/E Surface Grinder



Safety And Dust Shield Assembly SG12/E Surface Grinder

Reference Number	PART NUMBER	DESCRIPTION	QTY
1	SG12-0230	Skirt Assembly	1
2	SG12-0220	Bumper, Rubber	1
3	SG12-0060	Hose, Vacuum	1
4	56480000	Clamp, Hose, 3"	2
5	SG12-0040	Strap, Skirt	2
6	53050000	Nut, Hexagon, Nylock®, 5/16-18 UNC, Plated	4
7	15050700	Screw, Cap, 5/16-18 UNC x 7/8", Plated	4
8	61040800	Screw, Countersunk, 1/4-20 UNC x 1", Plated	7